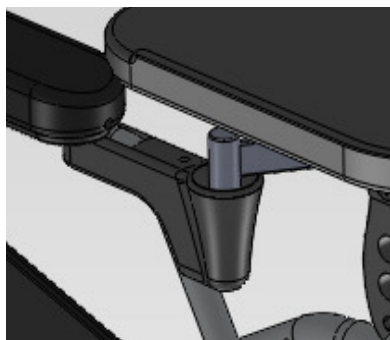


Fitting and use of wheelchair trays



Trays are located at the front of the armrest by sockets which can be fitted retrospectively.

Each tray socket incorporates a locating guide feature to allow easy tray location and removal.

To assemble the sockets, the side panel fixings should first be removed so that the socket can then be threaded into position.

Tray sockets should be fixed securely on the armrest frame using the M6 front armpad fixing screw, and the armrest panel refitted before use.

The two Greencare tray types have functional profiles as shown below.



The single therapy tray (shown right) locates at one side of the wheelchair, and may be used as an arm or hand support. It can be positioned inwards or outwards, on either side of the wheelchair as required. The therapy tray has a single M8 fixing, centrally on the underside in the internal reinforcement.

The full tray (shown left) locates at each side of the wheelchair, and may be used to help support a seated occupant. It can be positioned forwards or backwards as required. The full tray has two sets of three M8 underside fixings in the internal reinforcement for alignment to suit chair and occupant.

The M8 screws should finally be secured against loosening with threadlock.



Users should be advised to remove loose items when propelling. A small item safe carrier option is available from Greencare to fit an empty tray socket.

Surface angle of trays can be optimised through use of front and rear armrest height setting spigots.

Tray surfaces may be wiped clean, using an anti bacterial cleaner.